



MYFPT APP



***CONNECTED
SOLUTIONS***

MyFPT App

MyFPT is a free app which establish a direct connection among the customers and their FPT engines.

My FPT App is the solution developed by FPT to bring customers into the world of digitalization , enabling them to have relevant information at the tip of their fingers together with a quick, efficient and tailored support.

My FPT App is free and available on Android and iOS system.



FREE
& AVAILABLE
IN MORE THAN
100 COUNTRIES

Main features:



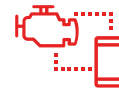
CONSULT
ENGINE
TECHNICAL INFO



DOWNLOAD
USER'S
MANUAL



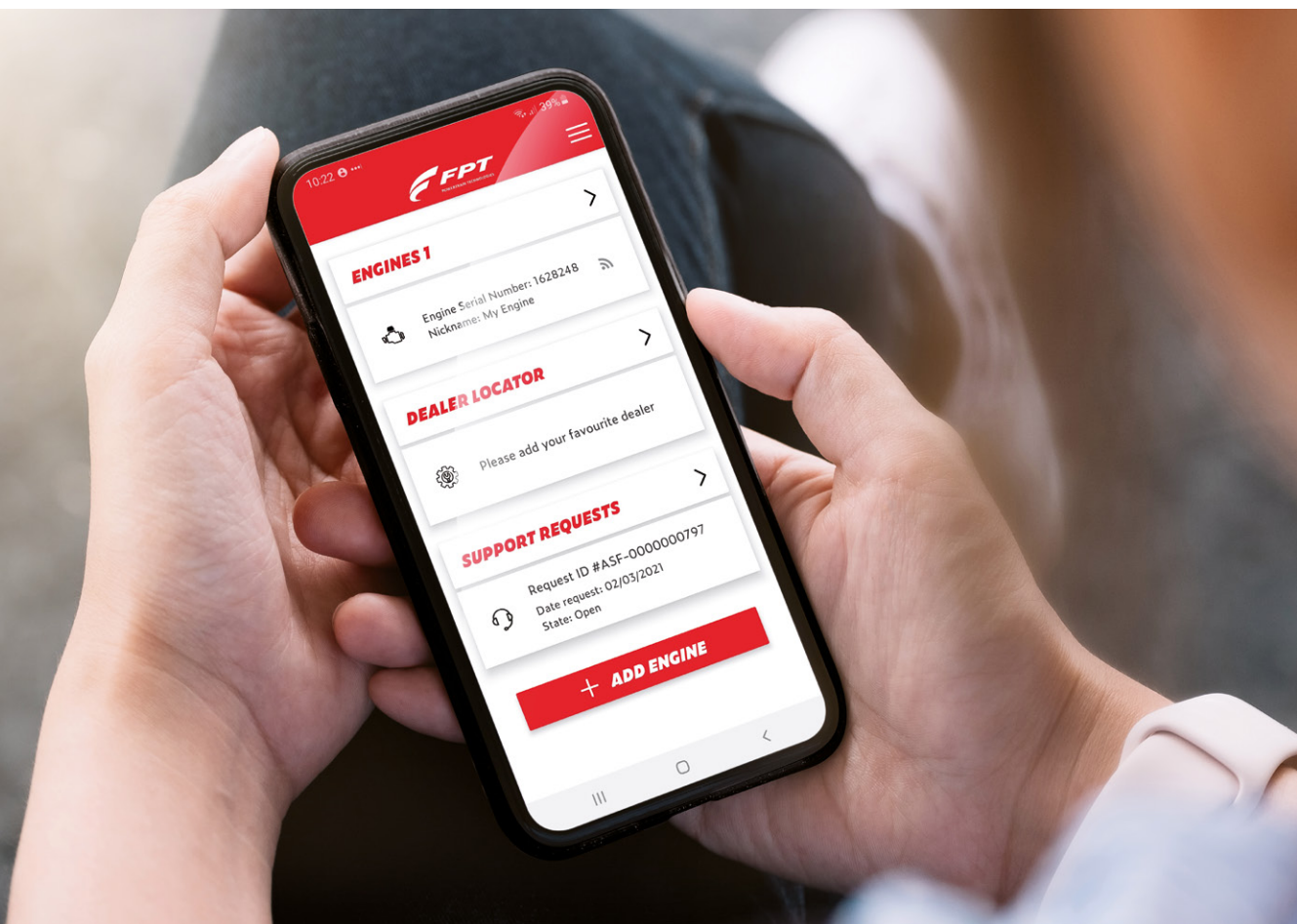
CHECK
SPARE PARTS
AVAILABILITY



MONITOR
ENGINE
PERFORMANCE
IN REAL TIME

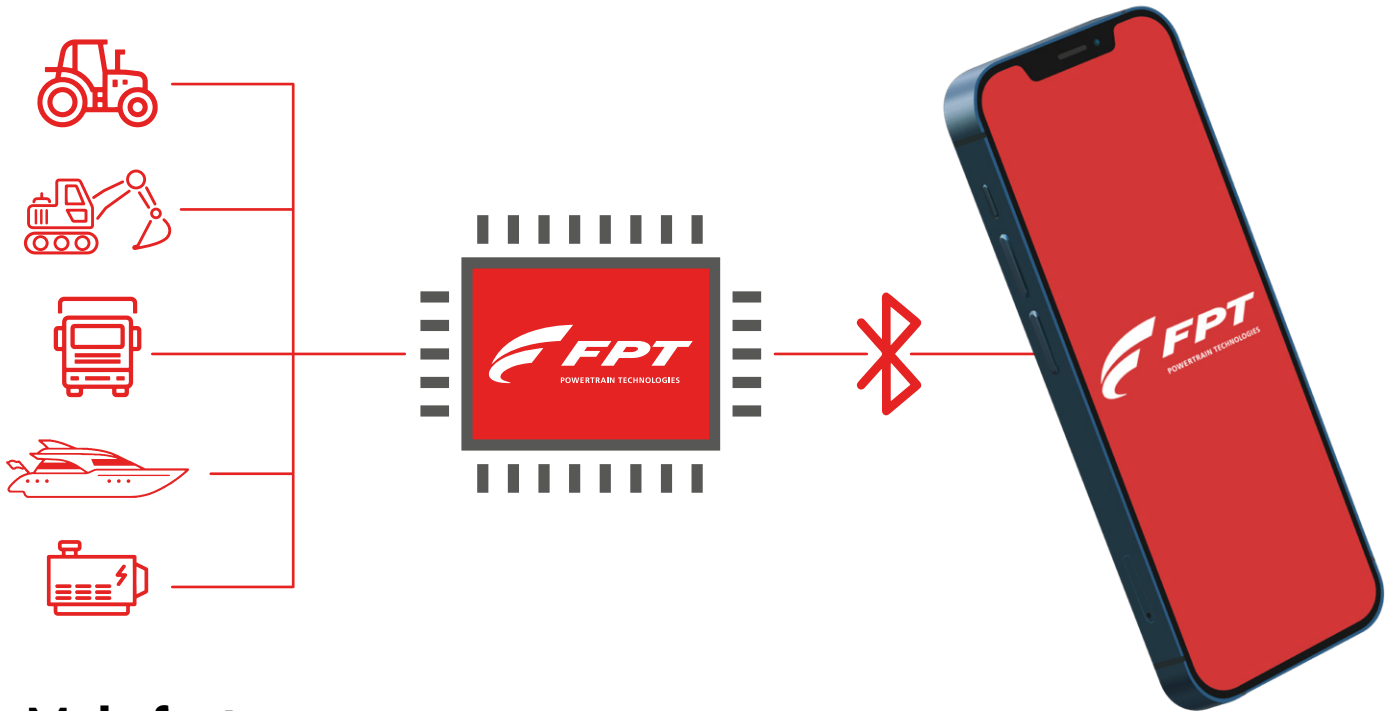


FIND
FPT DEALER
AND WORKSHOP



MyFPT Connectivity Kit

The FPT Dongle and the MyFPT App work together as one giving to the Customers their engine performance and status in real time.



Main features:



OPTIMIZE
DAILY USAGE



CHECK
ENGINE STATUS



RETRIEVE
INFORMATION
ABOUT THE FAULTS



QUICK DATA
SHARING WITH
FPT ASSISTANCE



Easy to connect

The installation of the dongle is really simple. You only need to connect it to the on-board diagnostics port.

Being connected:

- 1.** Check the engine diagnostic port position and type:
 - OBD2 (On-Road applications)
 - 9-pin port (J1939)
 - 19-pin port
- 2.** Plug the bluetooth dongle in the Diagnostic port (with the connector, for 9-pin or 19-pin port).
- 3.** Download MyFPT App from the Apple store or Google Play store (free):



App Store
(iOS 12+)



Google Play
(Android 6+)



- 4.** Create your account.
- 5.** Register your engine.
- 6.** Pair the kit using the installation guidelines provided.

**YOU'RE NOW READY TO DISCOVER
ALL THE FEATURES OF MYFPT APP AND
TO BE CONNECTED WITH FPT NETWORK!**

Technical Characteristics

All about FPT Dongle.

COMMUNICATION

Bluetooth classic (2.1)
Bluetooth 4.0 Low Energy (Smart Ready)

DIAGNOSTIC CONNECTION

OBD ISO15031-03 (24V)

SUPPLY VOLTAGE

12/24 V

ELECTRIC CONSUMPTION

Normal operation: 60 / 120 mA (12/24 V)
Standby: < 6 mA

OPERATIONAL ENVIRONMENT

From -20 °C to 60 °C
Water and Dust Resistance IP40

STOCK TEMPERATURE

From -40 °C to 85 °C

OPERATIONAL FREQUENCY

2400 – 2483 MHz

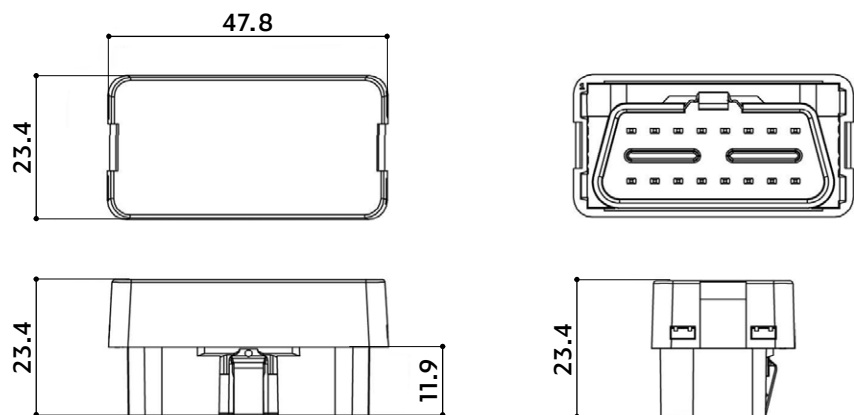
INTERNATIONAL PRODUCT NORMS

EN 301 489-1 V2.1.1
EN 301 489-17 3.1.1
EN 300 328 V2.1.1
EN 62311:2008
EN 60950-1:2006 / A11+A1+A12+AC:2001+A2:2013
ISO 7637-1:2002
ISO 7637-2:2011

REGULATIONS

ECE / ONU R10

DIMENSIONS (mm)



HOMOLOGATION



